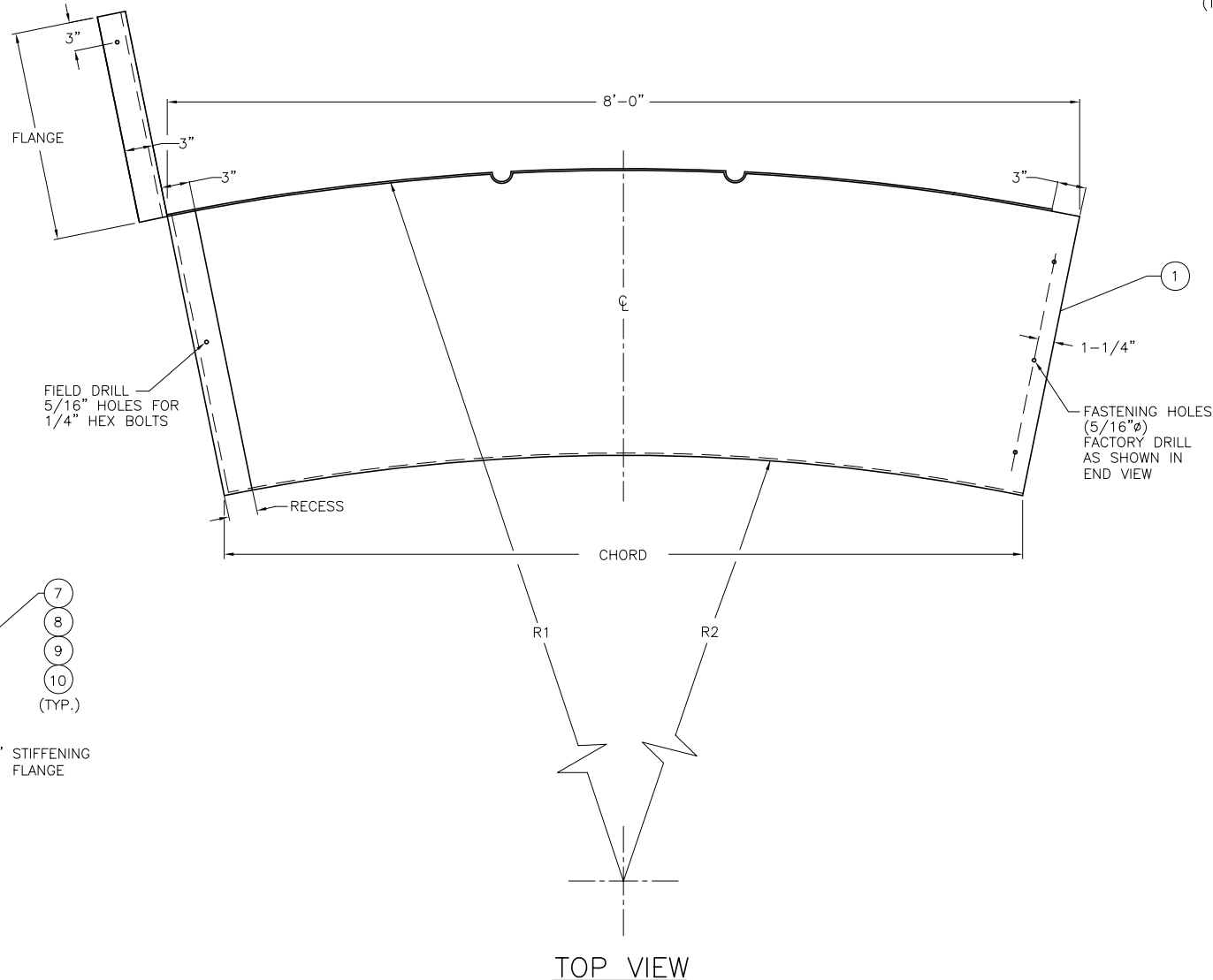
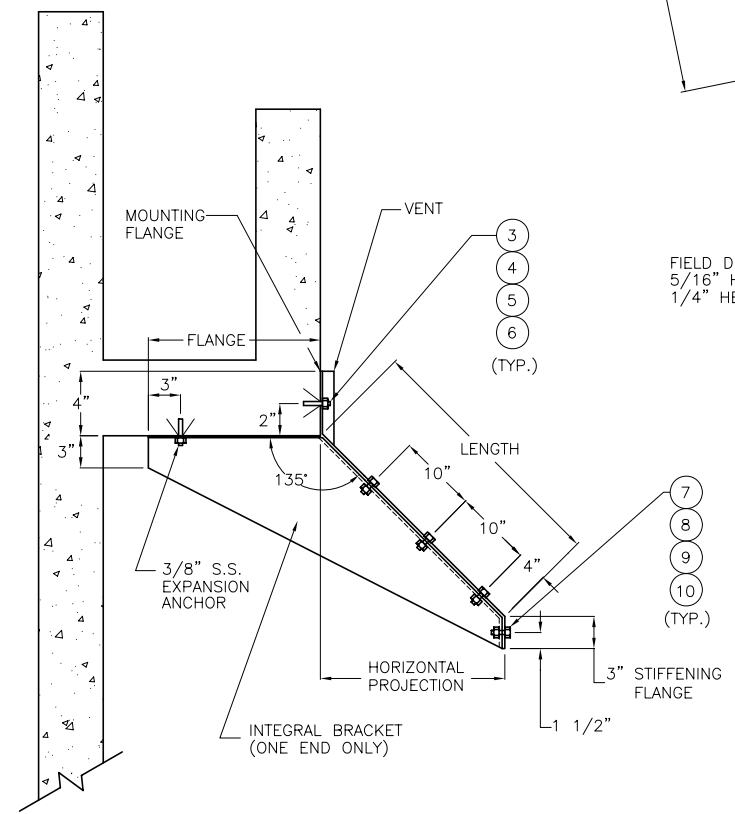
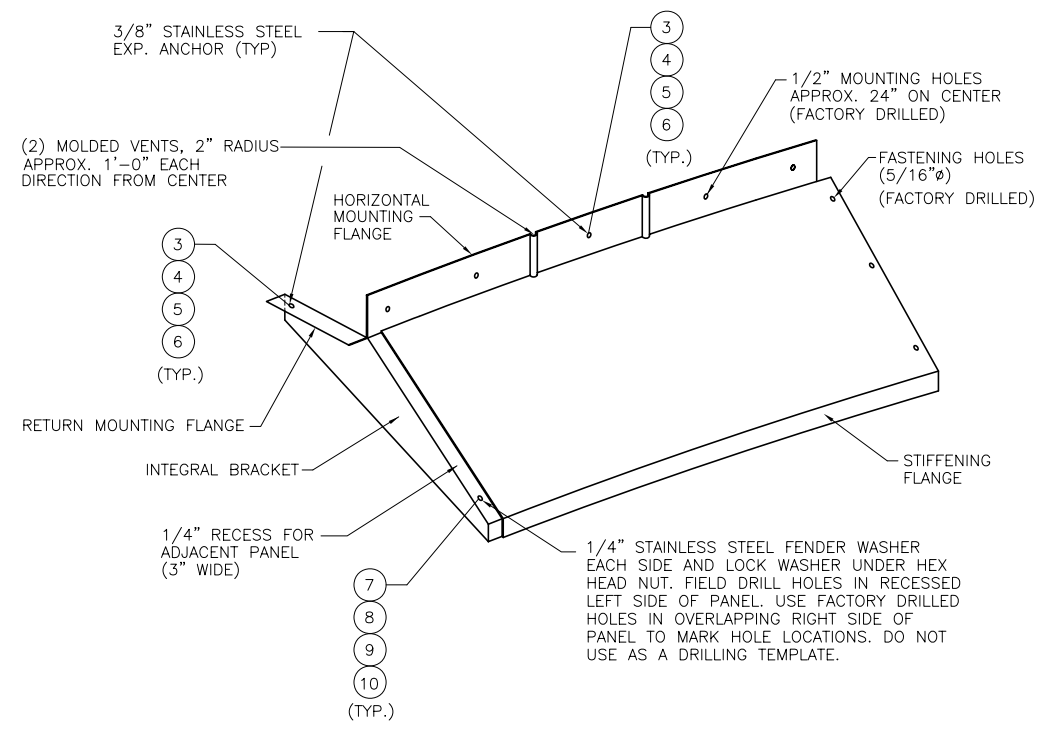
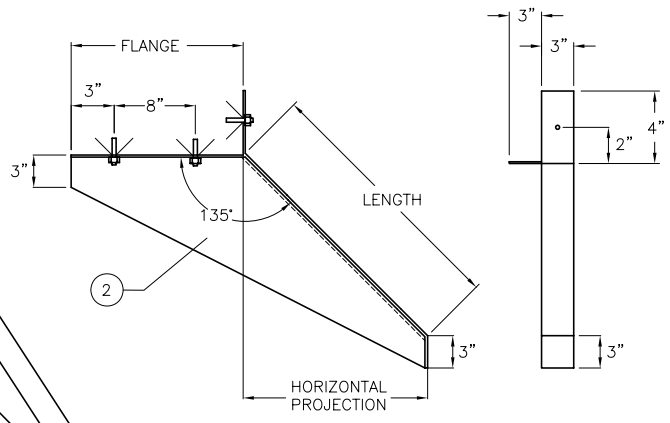
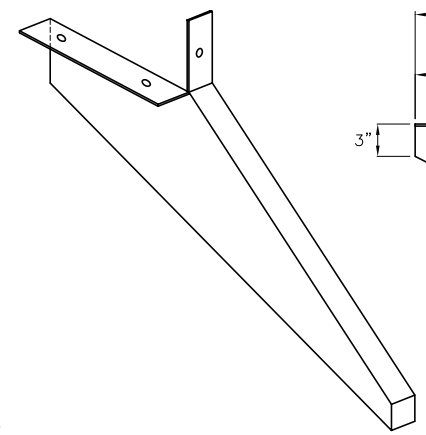
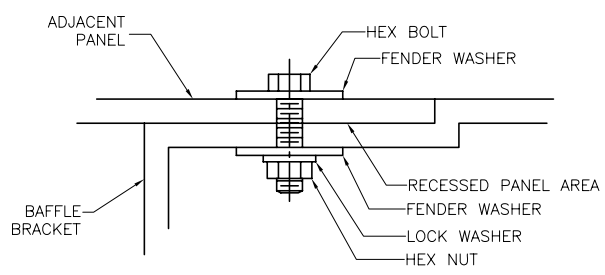


BAFFLE INSTALLATION HARDWARE



- NOTES:
- DIAMETER AT BAFFLE = 57'-8"
 - BAFFLE PANELS ARE CHOPPED STRAND FRP WITH 1/4" MINIMUM THICKNESS
 - 357-211 PLN CTC GLASS REINFORCEMENT OR EQUIVALENT
 - COREZYN, COR75-AQ-010, ISOPHTHALIC RESIN OR OR EQUIVALENT, WITH MINIMUM .05% BLACK PIGMENT, MAX 5% FILL AND UV SUPPRESSED
 - LAMINATE SHALL NOT HAVE LESS THAN 30% GLASS CONTENT
 - ADD 2" DRAFT TO BRACKET ON PLUG TO COMPENSATE FOR SHRINKAGE
 - ONE-EIGHTH INCH RADIUS ON ALL CORNERS
 - UPPER BAFFLE SURFACE IS MOLD SMOOTH
 - UPPER BAFFLE SURFACE LAMINATED WITH ONE LAYER C-TYPE VEIL MAT
 - RETURN FLANGE TO BE REINFORCED WITH ONE LAYER OF 24 OZ WOVEN ROVING.
 - PARTS SHALL BE UNIFORMLY BLACK WITH NO FIBER SHOWING
 - PARTS ARE KNIFE TRIMMED, WITH EDGES SANDED AND HOT COATED
 - TANK MOUNTING HOLES ARE FACTORY DRILLED (1/2") AND SEALED
 - SEAL ALL CUT EDGES PER MANUFACTURERS DIRECTIONS
 - ALL FASTENERS ARE 304 SST UNLESS OTHERWISE NOTED
 - EACH BAFFLE SHALL HAVE THE FOLLOWING MINIMUM PHYSICAL PROPERTIES:

PROPERTY	TEST	MINIMUM VALUE
TENSILE STRENGTH	ASTM D-638	12,000 PSI
FLEXURAL STRENGTH	ASTM D-790	20,000 PSI
FLEXURAL MODULUS	ASTM D-790	1.0x10 ⁶ PSI
BARCOL HARDNESS	ASTM D-2583	40
WATER ABSORPTION	ASTM D-570	0.2%

© COPYRIGHT 2006 NEFCO, INC.

PATENTS:
 U.S. PATENT NO. 5,252,205
 5,597,483
 CANADIAN PATENT NUMBER: 2100380

REVISION:

NEFCO, INC.
 4362 NORTHLAKE BLVD. SUITE 213
 PALM BEACH GARDENS, FL 33410
 (561) 775-9303



ENGINEER:

CONTRACTOR:

PURCHASE ORDER:

PROJECT NAME:

TITLE:

DENSITY CURRENT
 BAFFLE
 LAUNDRY MOUNT
 CONFIGURATION
 (TYPICAL)

DWG BY:
 CHK BY:
 SCALE:
 DATE:

DWG NO.
 SHEET NO: 1 OF 1